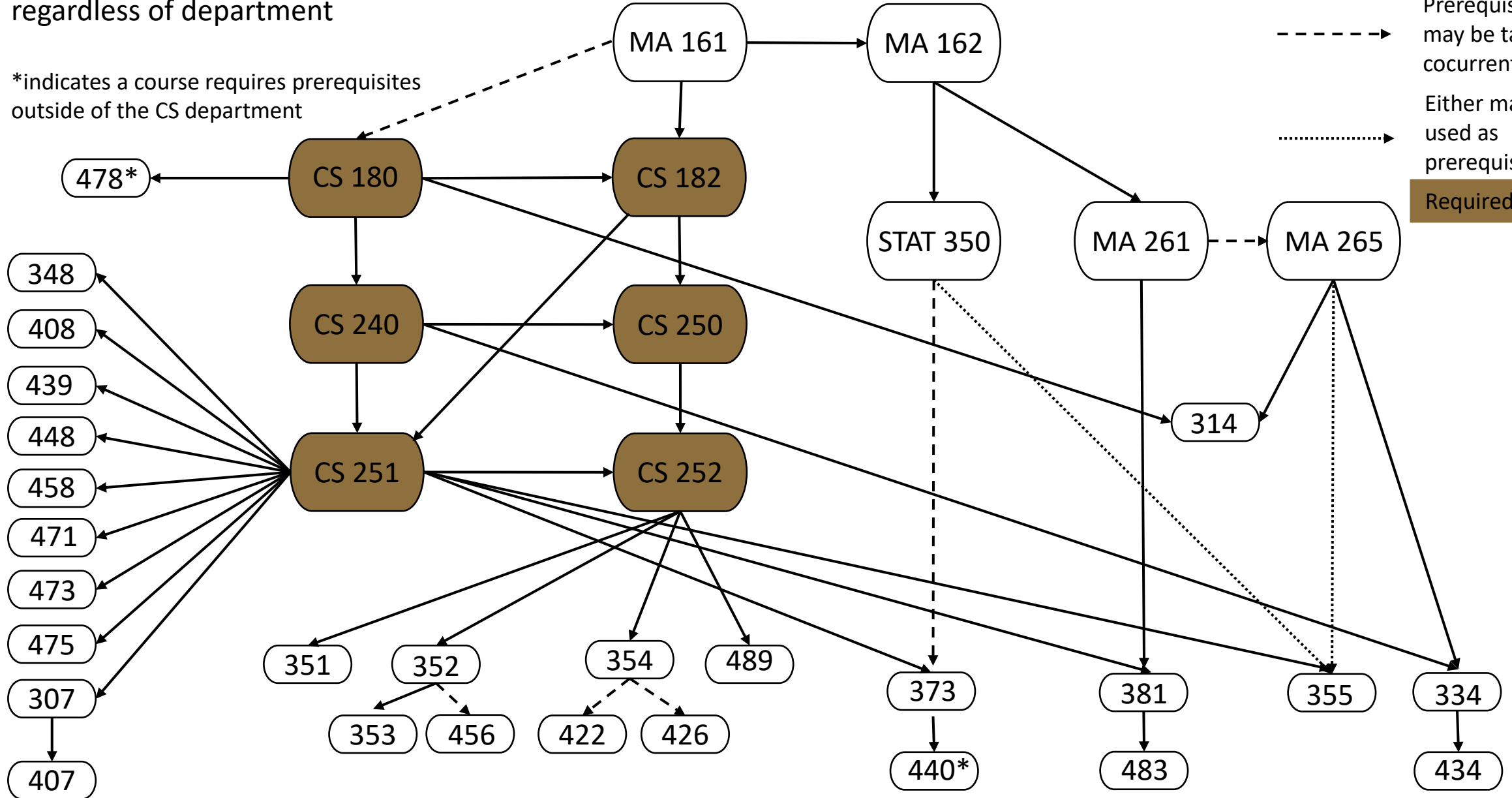
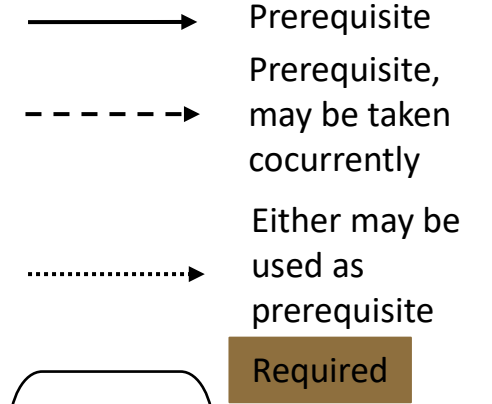


A grade of 'C' or better is required for all CS course prerequisites, regardless of department

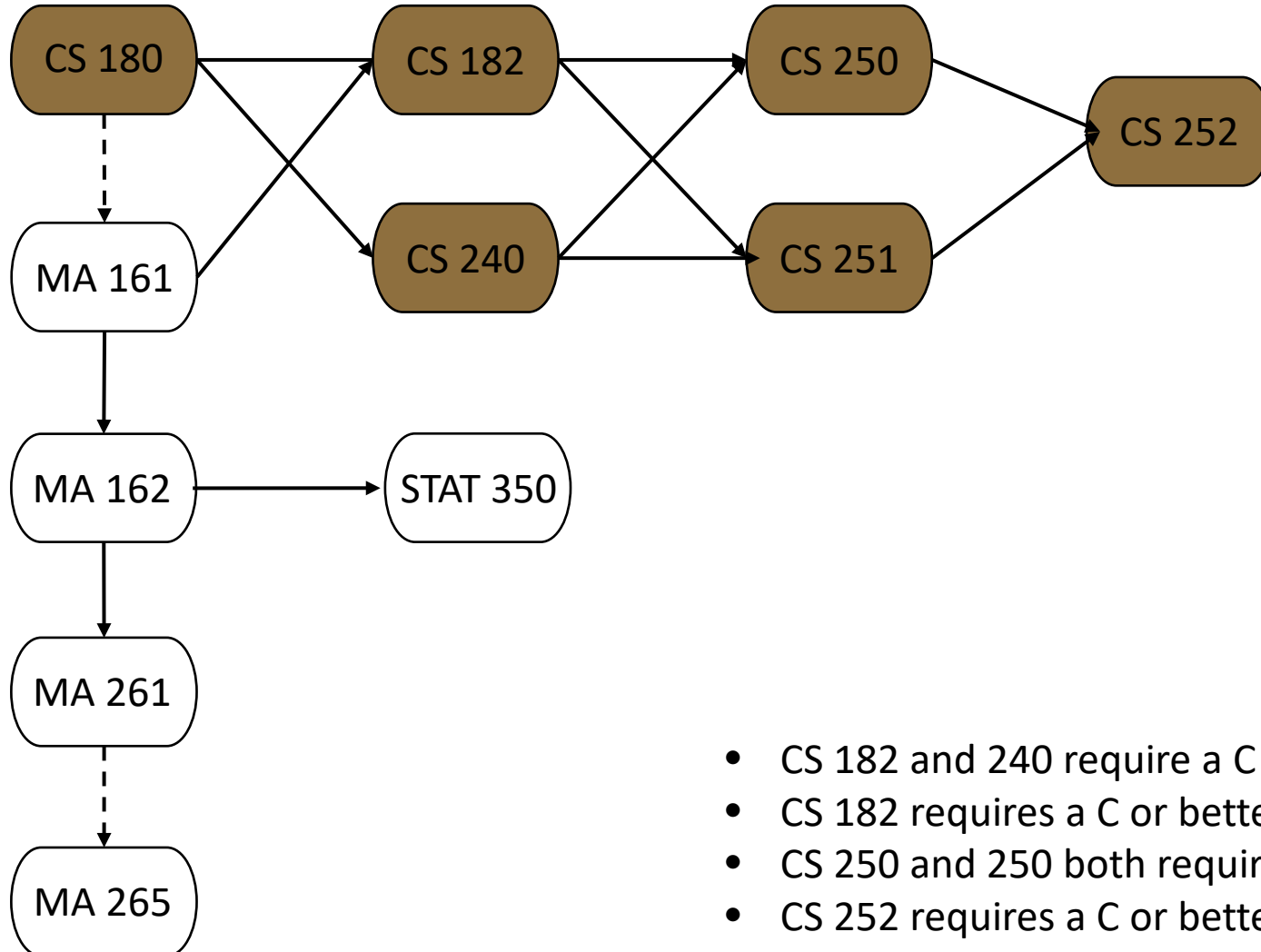
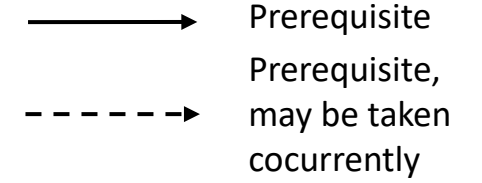
*indicates a course requires prerequisites outside of the CS department

Computer Science Prerequisite Flowchart *effective Fall 2024*



Computer Science Prerequisite Flowchart – Core Technical Classes *effective Fall 2024*

A grade of 'C' or better is required for all CS course prerequisites, regardless of department

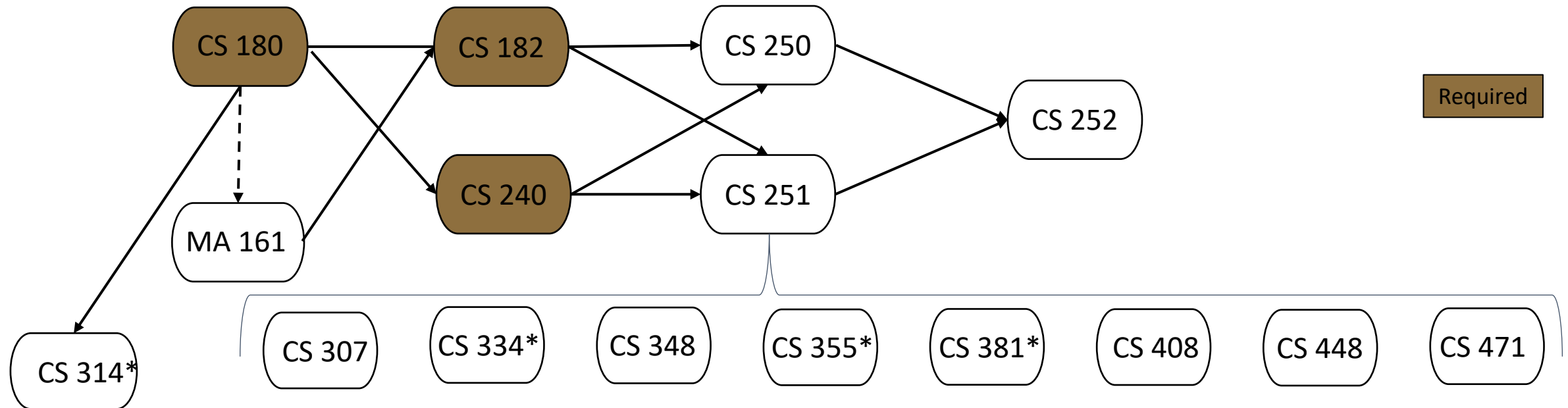
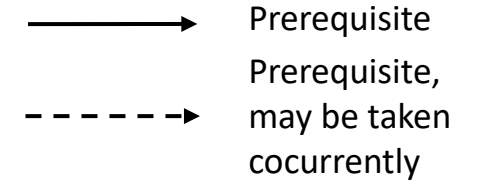


Required

- CS 182 and 240 require a C or better in CS 180
- CS 182 requires a C or better in MA 161
- CS 250 and 250 both require a C or better in both CS 182 and 240
- CS 252 requires a C or better in both CS 250 and 251

Computer Science Prerequisite Flowchart – Minor *effective Fall 2024*

A grade of 'C' or better is required for all CS course prerequisites, regardless of department



Required

* Indicates additional prerequisite courses in MA and/or STAT

- CS Minors must complete 5 CS courses, of which CS 180, 182, and 240 are required
- A grade of C or better or established credit is required in MA 161 for minors
- CS 240 requires a C or better in CS 180
- CS 250 and 250 both require a C or better in both CS 182 and 240
- CS 252 requires a C or better in both CS 250 and 251
- Students pursuing the minor will be bound by the [Course Access Policy](#)